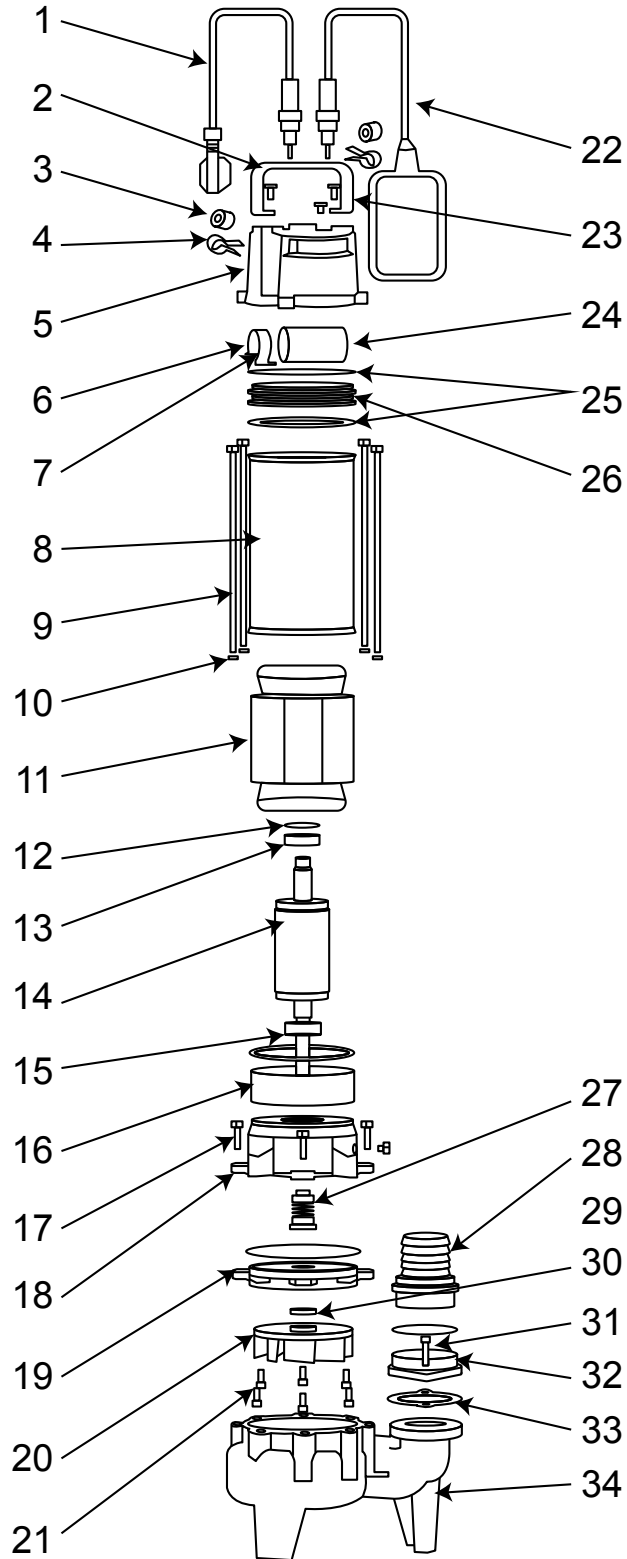


**DESPIECE**



# TABLA DE REFACCIONES

| POSICIÓN   | REFACCIÓN                | STRONGX2-5-1127 | STRONGX2-10-1127 | STRONGX2-10-1230 | STRONGX3-20-1230 | STRONGX3-20-3230 | STRONGX3-30-3230 |
|------------|--------------------------|-----------------|------------------|------------------|------------------|------------------|------------------|
| 1          | CABLE DE ALIMENTACIÓN    | ✓               |                  | ✓                |                  |                  |                  |
|            |                          |                 | ✓                | ✓                |                  | ✓                |                  |
|            |                          |                 |                  |                  | ✓                | ✓                | ✓                |
| 5          | TAPA SUPERIOR            | ✓               |                  | ✓                |                  |                  |                  |
|            |                          |                 | ✓                | ✓                |                  | ✓                |                  |
|            |                          |                 |                  |                  | ✓                | ✓                | ✓                |
| 12         | ARANDELA ONDULADA        | ✓               |                  | ✓                |                  |                  |                  |
|            |                          |                 | ✓                | ✓                | ✓                | ✓                |                  |
|            |                          |                 |                  |                  |                  |                  | ✓                |
| 13, 15     | BALERO                   | ✓               |                  |                  |                  |                  |                  |
| 13         | BALERO SUPERIOR          |                 | ✓                | ✓                | ✓                | ✓                |                  |
|            |                          |                 |                  |                  |                  |                  | ✓                |
| 15         | BALERO INFEROR           |                 | ✓                | ✓                |                  |                  |                  |
|            |                          |                 |                  |                  | ✓                | ✓                |                  |
|            |                          |                 |                  |                  |                  |                  | ✓                |
| 18         | CAMARA DE ACEITE         | ✓               |                  | ✓                |                  |                  |                  |
|            |                          |                 | ✓                | ✓                |                  | ✓                |                  |
|            |                          |                 |                  |                  | ✓                | ✓                | ✓                |
| 19         | TAPA DE CAMARA DE ACEITE | ✓               |                  | ✓                |                  |                  |                  |
|            |                          |                 | ✓                | ✓                |                  | ✓                |                  |
|            |                          |                 |                  |                  | ✓                | ✓                | ✓                |
| 20         | IMPULSOR                 | ✓               |                  | ✓                |                  |                  |                  |
|            |                          |                 | ✓                | ✓                |                  | ✓                |                  |
|            |                          |                 |                  |                  | ✓                | ✓                | ✓                |
| 22         | FLOTADOR                 | ✓               |                  | ✓                |                  |                  |                  |
|            |                          |                 | ✓                | ✓                |                  | ✓                |                  |
|            |                          |                 |                  |                  | ✓                | ✓                | ✓                |
| 24         | CAPACITOR 20MF           | ✓               |                  | ✓                |                  |                  |                  |
|            | CAPACITOR 25MF           |                 | ✓                | ✓                |                  |                  |                  |
|            | CAPACITOR 30MF           |                 |                  |                  | ✓                |                  |                  |
| 25, 27, 30 | KIT DE SELLADO           | ✓               |                  | ✓                |                  |                  |                  |
|            |                          |                 | ✓                | ✓                |                  | ✓                |                  |
|            |                          |                 |                  |                  | ✓                | ✓                | ✓                |
| 26         | BASE DE BALERO           | ✓               |                  |                  |                  |                  | ✓                |